



40
YEAR
warranty

ROOF TILE

**IDEAL
PLUS**

WE BUILD TRUST

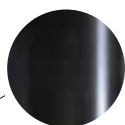
 **nexe**

IDEAL PLUS is a clay tile produced by modern baking technology in "U" - tapes. It is characterized by excellent functionality, accurate dimensions, and double groove. Pressing by plaster molds gives this tile a striking look and a pronounced relief, especially of grooves, allowing excellent fit on the roof and sealing of the roof level. The most important advantage of the application of IDEAL PLUS tiles in relation to other similar clay tiles is its constructive design which allows **sliding battening of the roof level in the range of 33.2 cm to 35.5 cm**. By this kind of placing of IDEAL PLUS tiles, mistakes occurred during the formation of the roof structure are eliminated, and the construction of the tile itself enables the old tiles to be replaced on an already existing roof level.

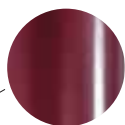
Natural



Black



Bordeaux



Engobed

The engobing procedure creates a tile of different colors and a smooth and glossy surface which improves the aesthetic appearance of the roof for a long time as the tile corrosion process is slowed down. Engobing is carried out by a controlled process of applying engobe suspension on a dry tile surface. After drying of the engobe suspension applied on the NEXE tile's surface, a firm inseparable whole of the engobe and tile is formed in the process of baking.

Grooved tiles Glinex Klasik



The average weight 3,2 – 3,4 kg
Use per m² 2,65 db.

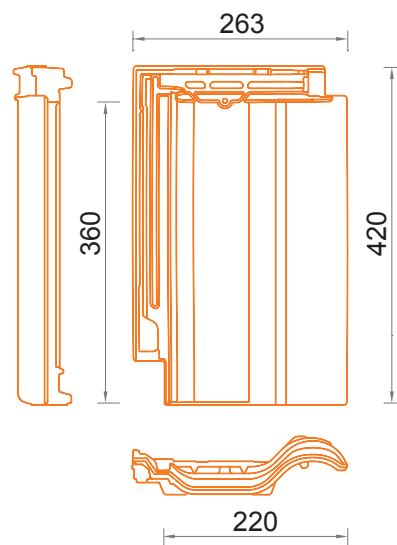
Special tiles



IDEAL PLUS tiles

Tested according to standard SRPS EN 1304

Tile weight	2,85 – 2,95 kg
Dimensions of a single tile	cca 420 mm x 263 mm
Maximum covering length	cca 360 mm
Covering width	cca 220 mm
Recommended lath spacing	cca 33,2 – 35,5 cm
Roof pitch minimum degree	22°
Use per 1m ²	12,5 – 13,7 units
Package	320 pieces per pallet (Packaging weight approx. 1000kg)
Dimensions of package	1133 mm x 850 mm



CONTACT

AD POLET IGK
23272 Novi Bečej, Železnička 13, Serbia
Tel: +381 (0)23 771 970, +381 (0)23 771 971
Fax: +381 (0)23 773 300
polet@nexe.rs, www.polet.rs

